

Driving
TECHNOLOGICAL
EXCELLENCE

FLUSHING RING

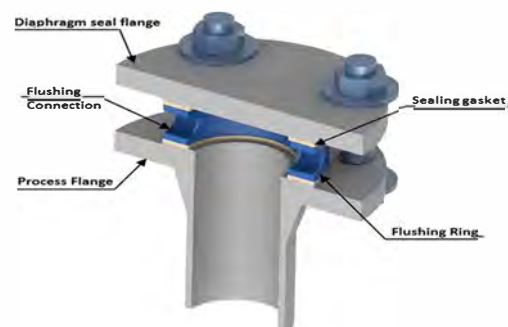
Flushing Ring is essential for applications requiring the flushing of diaphragm seals to prevent clogging of the instrument connection. It ensures the proper maintenance and functionality of the instruments by facilitating easy flushing.

FEATURE

- ▶ **Default Flushing Ports:** Equipped with two flushing ports for ease of use.
- ▶ **High-Quality Construction:** Machined from bar stock material for enhanced durability and reliability.
- ▶ **Precision Machining:** NPT tapping and threading performed exclusively by CNC processes to maintain a surface finish of 3.2Ra.
- ▶ **Compatibility:** Designed to fit ASME B16.5 RF flanges

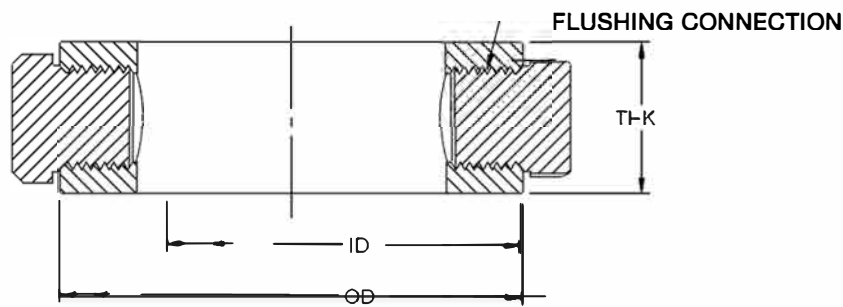
SPECIFICATION

- ▶ **Size:** 1", 2", 3" & Others on request
- ▶ **Material Options:** SS316L, Hastelloy, Monel, Titanium, Inconel & Others on request
- ▶ **Process Connection Sizes:** 50NB, 80NB, 100NB.
- ▶ **Pressure Ratings:** 150#, 300#...2500#.



MOUNTING POSITION

- ▶ **Customization:** Custom models available upon request to meet specific requirements.
- ▶ **Finishing Options:** Available in both smooth and serrated finishes as per ASME B16.5 standards.
- ▶ **Flushing Connection:** 1/2" NPTF or 1/4" NPTF.



FLUSHING RING DIMENSIONS IN MM AS PER ASME B 16.5

SIZE	PRESSURE RATING	ID	OD	THK
50NB	150#, 300#, 600#, 900#, 1500# & 2500#	62	92	30
80NB	150#, 300#, 600#, 900#, 1500# & 2500#	92	127	30
100NB	150#, 300#, 600#, 900#, 1500# & 2500#	92	157	30

FLANGE END CONNECTION TYPES

- ▶ **Raised Face (RF):** Small raised area around the bore; improves gasket sealing performance.
- ▶ **Flat Face (FF):** Entire face is flat; used where the flange is mated with a flat surface.
- ▶ **Ring Type Joint (RTJ):** Metal ring compressed into a groove on the flange face for high-pressure applications.

ENHANCED FEATURES AND ADDITIONAL ACCESSORIES

CONNECTING NIPPLES

MATERIAL OPTIONS:

- ▶ SS 316 L, Hastelloy, Monel, Inconel, Others on request

SIZE OPTIONS:

- ▶ 1/4" NPTF, 1/2" NPTF

LENGTH OPTIONS:

- ▶ Custom lengths available upon request

PLUG:

- ▶ 1/4" NPTM, 1/2" NPTM

ISOLATION VALVES

MATERIAL OPTIONS:

- ▶ SS 316 L, Hastelloy, Monel, Inconel, Others on request

SIZE OPTIONS:

- ▶ 1/4" NPTF, 1/2" NPTF

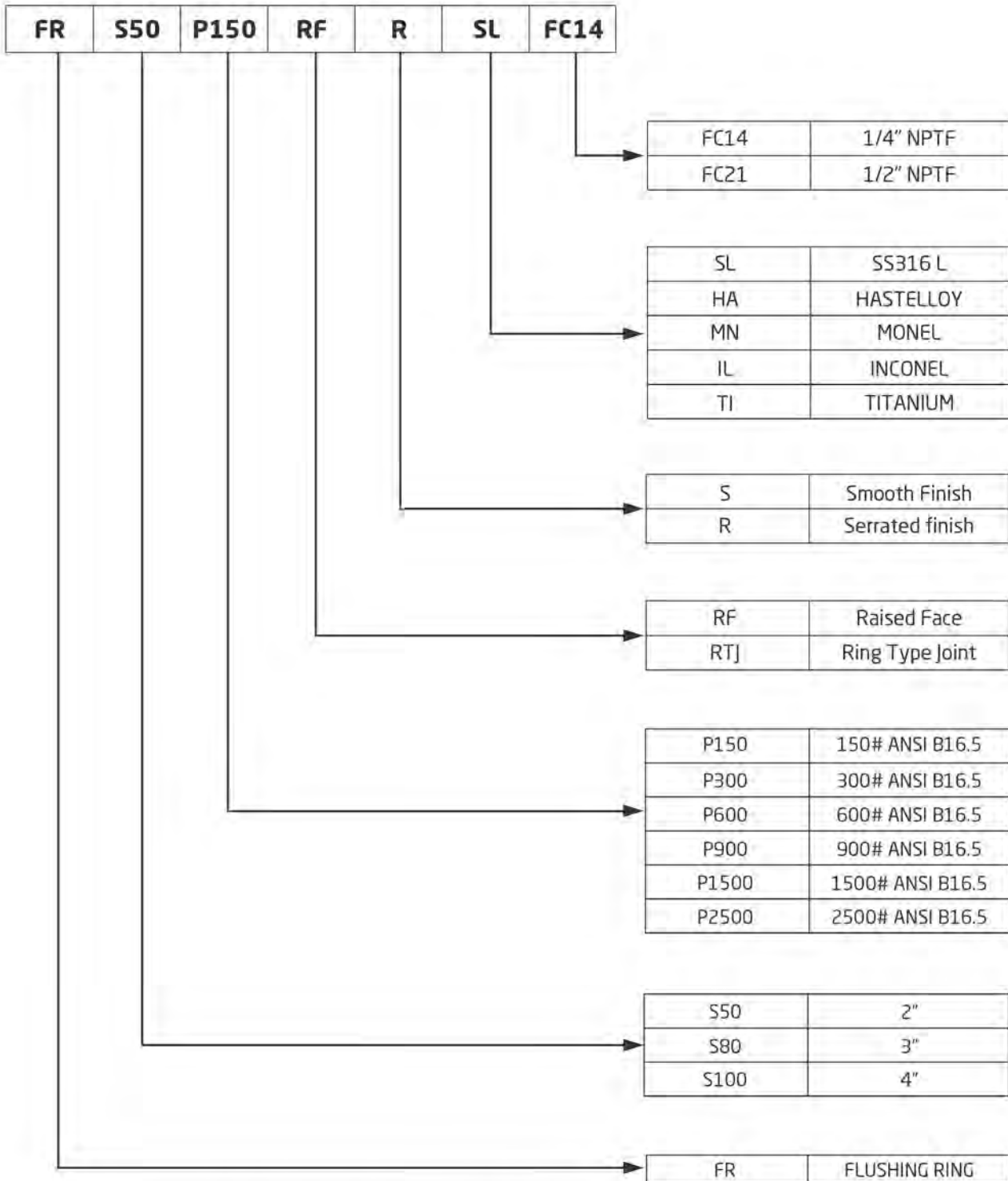
PRESSURE RATINGS:

- ▶ 150#-2500#

VALVE TYPE

- ▶ Needle Valve

FLUSHING RING MODEL DECODIFICATION



Note: Customised models and materials are available based on requirements.

Above data are only for reference purpose and subject to change without any prior notice due to constant efforts on product improvement.



CONTACT US:



PETRONASH ENGINEERING SERVICES PVT LTD

F- 46 & 47, Bible College Road, 8th Main Road, 3rd Cross,
SIPCOT Industrial Park, Irungattukottai,
Sriperumbudur - 602 105, India



+91-44-66142800



irksales@petronash.com



+91-44-66142828



www.petronashengineering.com

