



Driving
TECHNOLOGICAL
EXCELLENCE

**HYDRAULIC
PRESSURE REGULATOR**

Petronash Self-venting & Non draining stem type Hydraulic Pressure Regulator is suitable for 690 Bar inlet and the required outlet pressure of Hydraulic applications. Tapped Drain port allows for convenient downstream pressure reduction adjustments. The hardened Stainless Steel seat provides excellent wear resistance in harsh applications.

APPLICATION

- Wellhead control panels
- Subsea valve actuations
- Hydraulic Power Units
- Component testing

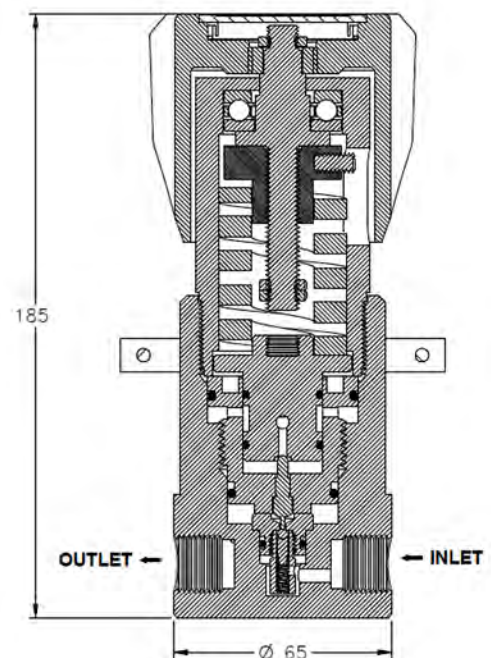
FEATURE

- Compact and economical design
- 690 Bar / 10000 PSI inlet pressure
- Piston-sensed design ensures safety and reliability
- Load bearings and high-impact hand knob for low torque adjustment
- Panel Mounting Ring for Easy Installation

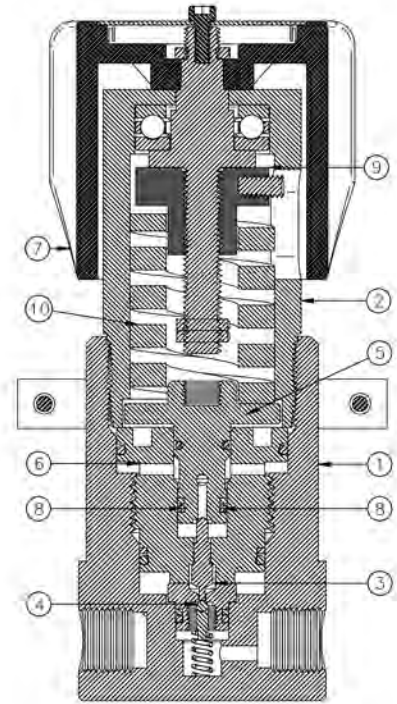


DESIGN DATA

- Inlet/Outlet Connection - 3/8" or 1/2" NPT
- Vent Port Connection - 1/4" NPT
- Max. Inlet pressure - 690 Bar / 10000 PSI
- Design Proof pressure - 150% of max. inlet pressure
- Flow Capacity
- Main Valve: $C_v = 0.06$
- Vent Valve: $C_v = 0.08$
- Leakage - 2 drops / Minute (max)
- Weight - 3.1 Kg



STANDARD MATERIALS OF CONSTRUCTION		
S.NO	COMPONENT / PART	MATERIAL
1	BODY	SS316
2	BONNET	SS316
3	ORIFICE ASSEMBLY	STAINLESS STEEL
4	SEAT	17-4 SS
5	SENSOR(PISTON)	17-4 SS
6	PISTON HOUSING	DUPLEX S31803 / S32205
7	HAND WHEEL	NYLON
8	'O' RING SEALS	VITON OR NBR
9	SPRING COMPRESSOR	BRASS
10	LOADING SPRING	SPRING STEEL

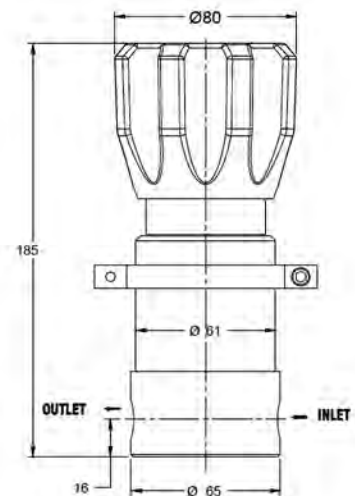
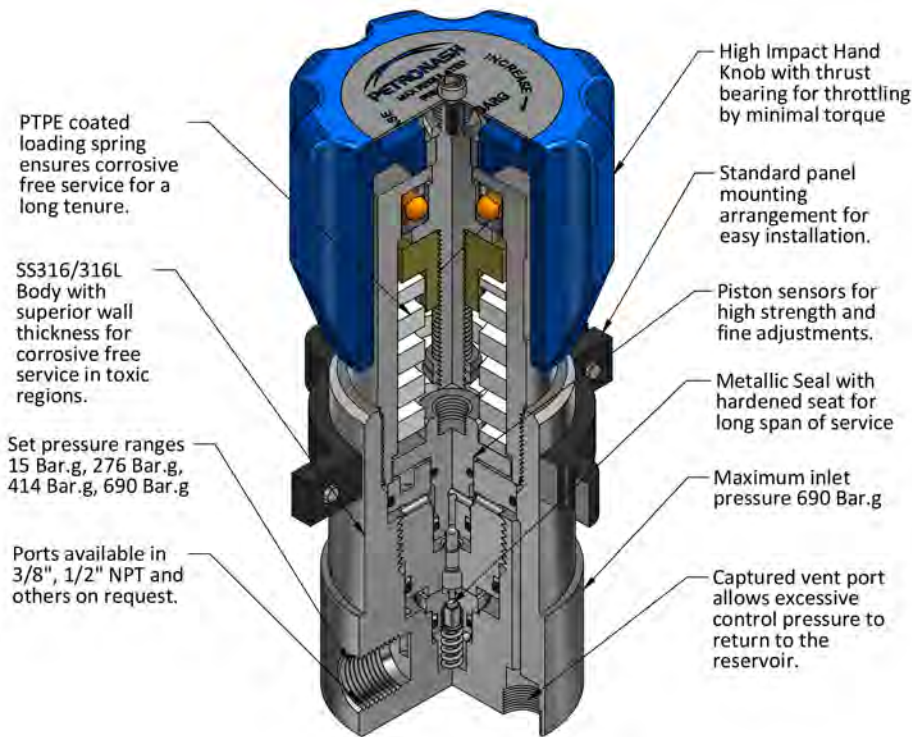


ORDERING INFORMATION AND MODEL DECODIFICATION

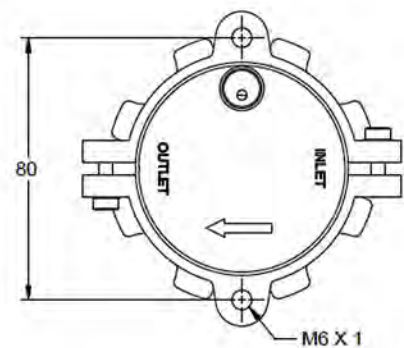
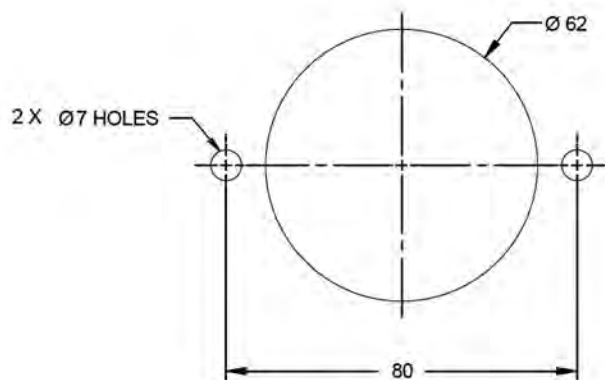


DESCRIPTION	BODY MATERIAL	O-RINGS	OUTLET PRESSURE RANGE	OUTLET / INLET CONNECTIONS
HYDRAULIC PRESSURE REGULATOR	SS316	V- VITON	P15 - 0 to 15 Bar.g	38 - 3/8" NPT
			P276 - 0 to 276 Bar.g	
		N- NBR	P414 - 0 to 414 Bar.g	12 - 1/2" NPT
			P690 - 0 to 690 Bar.g	

MOUNTING DETAILS



CUTOUT FOR PANEL MOUNTING



Note: Customised models and materials are available based on requirements.

Above data are only for reference purpose and subject to change without any prior notice due to constant efforts on product improvement.



CONTACT US:



PETRONASH ENGINEERING SERVICES PVT LTD

F- 46 & 47, Bible College Road, 8th Main Road, 3rd Cross,
SIPCOT Industrial Park, Irungattukottai,
Sriperumbudur - 602 105, India



+91-44-66142800



irksales@petronash.com



+91-44-66142828



www.petronashengineering.com

