



Driving  
**TECHNOLOGICAL**  
EXCELLENCE

**TUBULAR LEVEL GUAGE**

## DESCRIPTION

Level gauges are used to measure the liquid level in Atmospheric tanks / Panels and similar vessels. It is a direct level reading measurement device. This is connected with the tank in parallel through thread or flanged connection so that the tank liquid seeks out to the gauge indicator. It consists of indicating tube, LG valves, Needle valves, tube protection guard, etc., Wetted Parts of LG valves and Needle Valves are made from stainless steel SS 316L material. The Level gauge is mounted to the tank by ½" NPTM Connections. Custom connection sizes are available on request.

## FEATURE

- Direct level measurement
- 360° visibility
- Ease of tube replacement
- Easy Mounting of LG assembly with swivel nut design
- Dual scale design based on requirement
- C Type Guard to avoids tube damage
- Vent and Drain provision available
- Dual Sealant (PTFE & VITON/NBR) used to avoid leakage
- CC distance of up to 1000mm as standard

## MOC

- Tube Material: Acrylic / Borosilicate glass
- Scale Material: SS 316 / Traffolyte
- LG valves: Wetted parts - SS 316 / SS316L
- Needle valves (optional) : SS316 / SS316L



## PRESSURE RATING

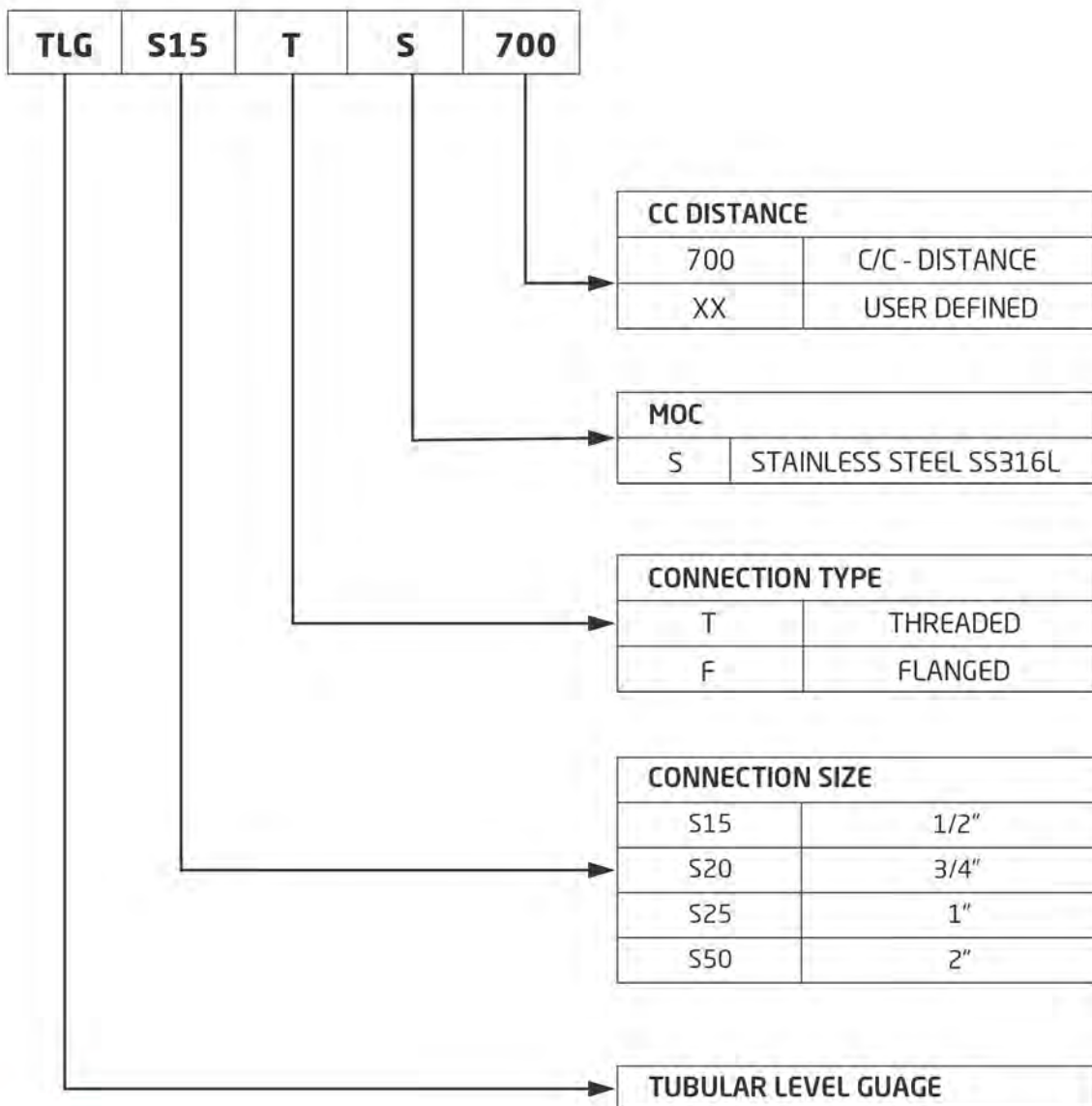
- ▶ Design Pressure: 1.0 Bar(G)
- ▶ Test Pressure: 2.0 Bar(G)

## TEMPREATURE RATING

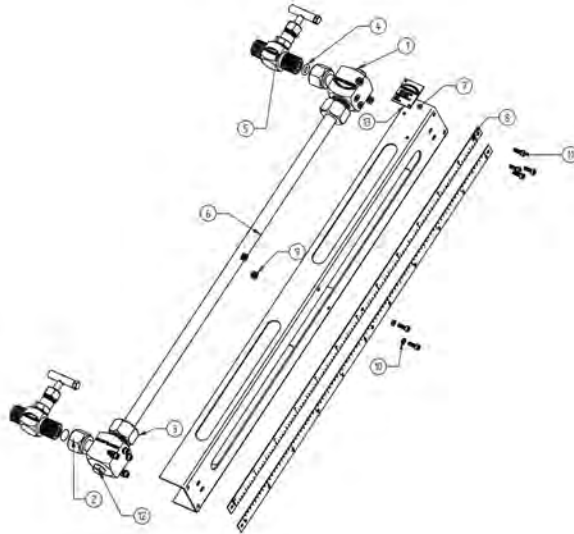
- ▶ 0°C to 85°C



## ORDERING INFORMATION AND MODEL DECODIFICATION



## EXPLODED VIEW WITH PARTS LIST



### MATERIAL OPTIONS

ITEM.NO	DESCRIPTIPON	MATERIAL DESCRIPTION
1	LG VALVE - M22	SS304L / SS316L / HAST C / MONEL / OTHERS
2	SWIVEL NUT	SS304L / SS316L / HAST C / MONEL / OTHERS
3	GLAND NUT	SS304L / SS316L / HAST C / MONEL / OTHERS
4	O RING	NBR / VITON / EPDM
5	NEEDLE VALVE (OPTIONAL)	SS304L / SS316L / HAST C / MONEL / OTHERS
6	TUBE	ACRYLIC / BOROSILICATE GLASS
7	GUARD	SS304 / SS316 / CS
8	SCALE	SS304 / SS316 / TRAFFOLYTE
9	WASHER	SS304 / SS316
10	NUT	SS304 / SS316
11	ALLEN BOLT	SS304 / SS316
12	DRAIN / VENT PLUG	SS304L / SS316L / HAST C / MONEL / OTHERS
13	NAME PLATE	SS304 / SS316

**Note:** Customised models and materials are available based on requirements.

Above data are only for reference purpose and subject to change without any prior notice due to constant efforts on product improvement.



## CONTACT US:



### **PETRONASH ENGINEERING SERVICES PVT LTD**

F- 46 & 47, Bible College Road, 8th Main Road, 3rd Cross,  
SIPCOT Industrial Park, Irungattukottai,  
Sriperumbudur - 602 105, India



**+91-44-66142800**



**irksales@petronash.com**



**+91-44-66142828**



**www.petronashengineering.com**

